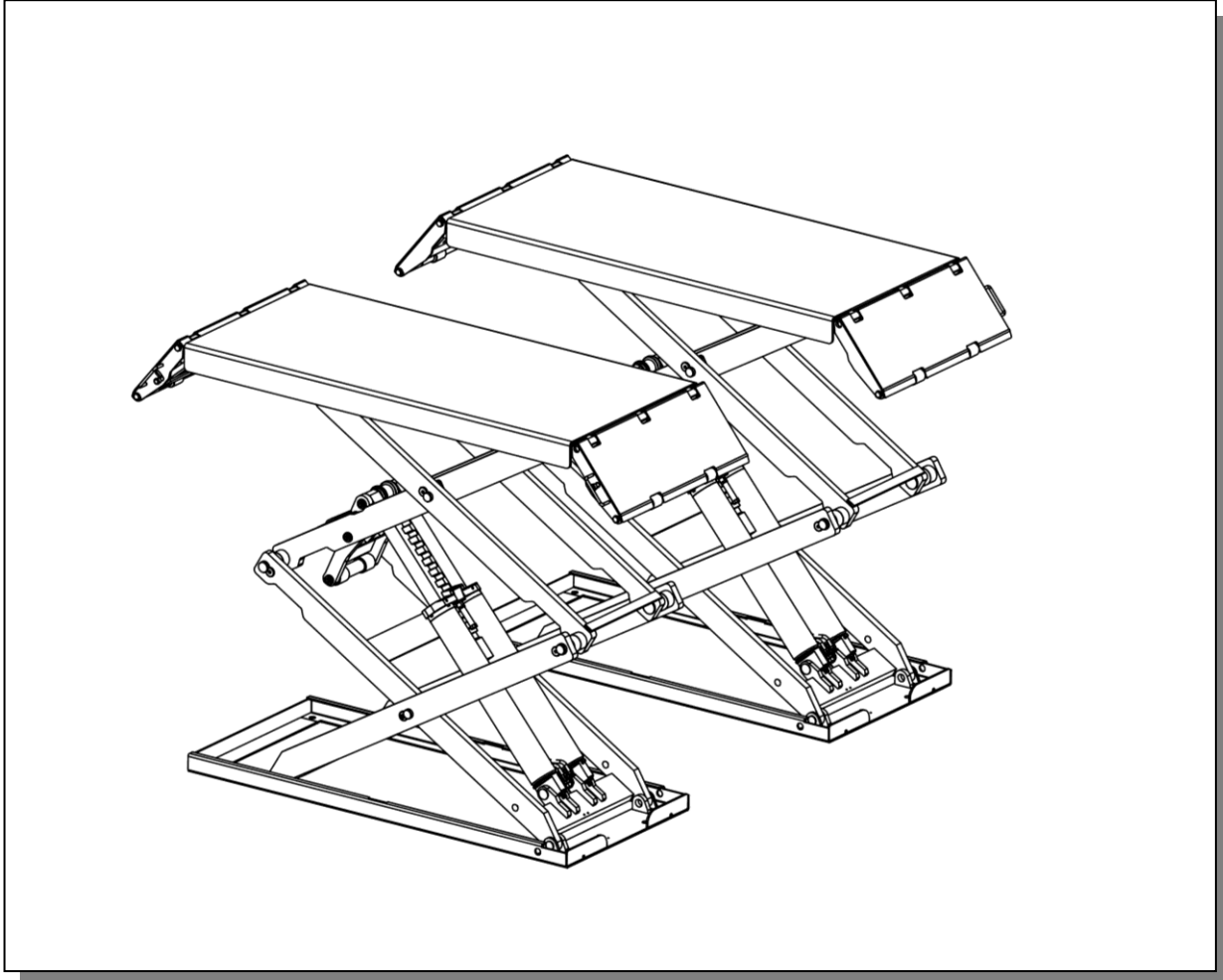


GM - 8508CP SMALL PLATFORM LOW PROFILE SCISSOR LIFT



INSTRUCTION & MAINTENANCE MANUAL



Read this entire manual carefully and completely before installation or operation of the lift

SCISSOR LIFT INSTRUCTION MANUAL

INDEX	PAGE
1. Packing, transport and storage	- 3 -
1.1. Packing:	- 3 -
1.2. Transport:	- 3 -
1.3. Storage:	- 4 -
2. Manual introduction	- 4 -
3. Description of the machine	- 5 -
3.1. Machine Application	- 5 -
3.2. Structure Features	- 5 -
3.3. Equipment	- 6 -
3.4. Frame	- 6 -
3.5. Control box	- 6 -
4. Specifications	- 6 -
4.1 Main technical parameter	- 6 -
4.3. Types of vehicles suitable for	- 8 -
5. Safety notes	- 9 -
6. Installation	- 12 -
7. Adjustment	- 17 -
8. Operation	- 19 -
9. Maintenance and care	- 21 -
10. Trouble shooting table	- 22 -
11. Hydraulic pressure elements diagram	- 23 -
12. Oil hose connection diagram	- 24 -
13. Circuit diagram	- 25 -
14. Gas loop diagram	- 27 -
15. Accessories Packing List	- 28 -

1. Packing, transport and storage



All packing, lifting, handling, transport and unpacking operations should be performed exclusively by expert personnel.

1.1.Packing:

Standard equipment:

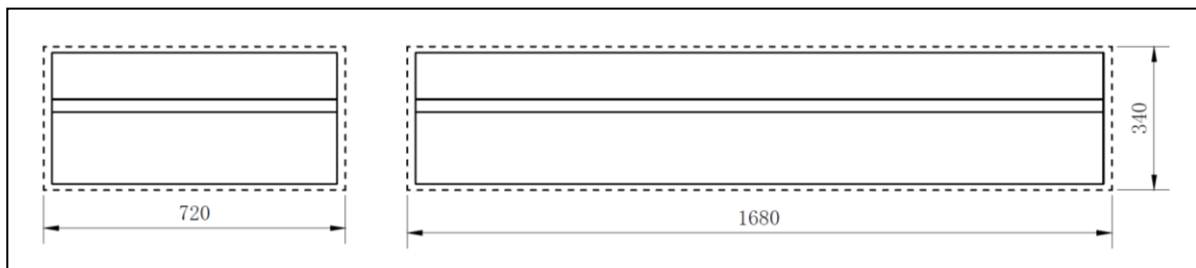
Accessory box (3# CTN), main and sub Platform (1# CTN), control box (2# CTN).

Packing List

NO.	Name	Accessory name and quantity
1	Lift Platform	Main Platform 1 piece
1	Lift Platform	Sub Platform 1 piece
2	Control Box	1 set
3	Accessory box	1 set(details are in the accessories packing list)

Table 1

Packing dimension picture



Picture 1

1.2.Transport:



Packing can be lifted or moved by lift trucks, cranes or bridge cranes. In case of slinging, a second person must always take care of the load, in order to avoid dangerous oscillations.

During loading and unloading operation, goods must be handled by vehicles or ships.

At the arrival of the goods, verify that all items specified in the delivery notes are included. In case of missing parts possible defects or damage may due to transport operations.

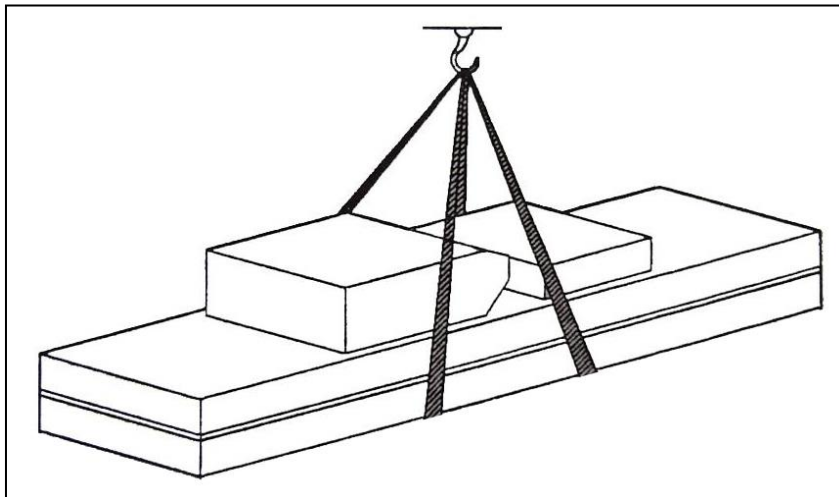
If finding missing parts, possible defects or damage due to transport, one should examine damaged

cartons according to <<Accessories Packing List>> to verify the condition of damaged goods and missing parts, also the person in charge or the carrier must be immediately informed.



The machine is heavy goods! Don't take manpower load and unload and transporting way into consideration, the safety of working is important.

Furthermore, during loading and unloading operation goods must be handled as shown in the picture. (Picture 2)



Picture 2 (Goods-lifted)

1.3.Storage:

- The machine equipment should be stocked in the warehouse, if stocked outside should do the disposal well of waterproof.
- Use box truck in the process of transport, use container storage when shipping.
- The control box should be placed perpendicularly during the transport; and prevent other goods from extrusion.
- The temperature for machine storage : -25°C-- 55°C

2. Manual introduction



This manual has been prepared for workshop personnel expert in the use of the lift operator and technicians responsible for routine maintenance fitter.

Workers should read the <<Instruction & Maintenance Manual>> carefully before carrying out any operation with the lift. This manual contains important information regarding:

- The personal safety of operators and maintenance workers.
- Lift safety.
- The safety of lifted vehicles.



Several tips should be done by the operator as follow:

- 1.Well conserving the manual. Manufacturer owns the right to make little change for the manual owing to the improvement of technology.
- 2.Good disposal the used oil.
- 3.The machine must be demolished by authorized technicians, just like for assembling

3. Description of the machine

3.1. Machine Application



the small platform low profile scissor lift can lift each kind of vehicle whose weight is less than 3000kg, suitable for use in vehicle tests, maintenance and caring for automobiles, which is particularly suitable for use in the basement or on the floor, without construction and hole.



Lifts are designed and built to lift vehicles and hold them in the elevated position in an enclosed workshop. All other uses of the lifts are unauthorized. In particular, the lifts are not suitable for:

- Washing spray work;
- Use in outdoors;
- Creating raised platforms for personnel or lifting personnel;
- Use as a press for crushing purposes;
- Use as elevator;
- Vehicle with severely tilted or bent frame, or with deformed wheels.

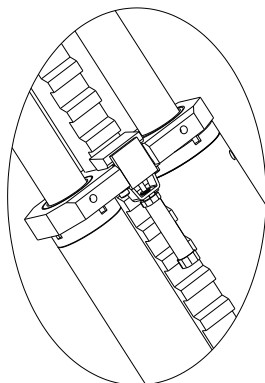


The manufacturer is not liable for any injury to persons or damage to vehicles and other property caused by the incorrect and unauthorized use of the lifts.

3.2. Structure Features

- Use hidden and thin scissor structure, dispense with construction and ground hole, the occupation is small
- Independent control box, low-voltage controlling, good security
- Same hydraulic cubage and in-phase cylinder, the synchronization of platform
- With hydraulic lock and mechanical dual-gear safety-claw lock double safety device automatically open when lowering. Lock operation can has the safety-claw located, adversely, safe & reliable.
- Own protection of safety valve and burst-proof equipment for hydraulic failure and over loading. So when the oil pipe bursts, the machine will not fall quickly.
- Sliding blocks adopt oil free super-wearable materials.
- Use high quality hydraulic or electric element parts made in Italy, Germany, Japan and so on.
- Own manual lowering operation when the power is cut.

Safety lock structure



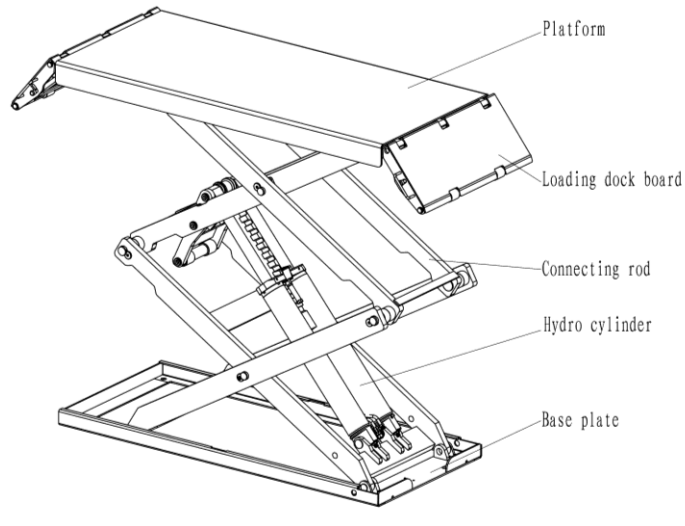
Picture 3

3.3. Equipment

- Machine basement (The position and space of equipment installation)
- Machine frame (The main structure of lift and insurance institution)
- Control box (Machine-controlled part)

3.4. Frame

Make of base plate, connecting rod, main lifting platform, hydraulic oil cylinder and loading dock board



Picture 4

3.5. Control box

Under the control box is hydraulic oil tank and hydraulic pump, valve and other control system. On the control box is electrical system.

Function of each valve on the power unit	
Name	Function
Gear pump	Extract hydraulic oil and provide high pressure.
Connecting block	Connect the motor and the gear pump.
Motor	Provide power for the gear pump.
Overflow valve	Adjust oil pressure.
Pressure-compensated valve	Control the speed of falling.
Lowering solenoid valve	Control flow of the hydraulic oil.
One-way valve	Control the one-way flow of hydraulic oil.
Ball valve	Debugging and control the returned oil.

Table 2

4. Specifications

4.1 Main technical parameter

Machine type	4T
Drive	Electrical hydraulic
Lifting capacity	4000kg
Machine lift height	1950mm
Platform initial height	115mm
Platform length	1500-2100mm
Platform width	685mm
Lifting time	≤55s
Descent time	≤55s
Whole machine length	2100mm
Whole machine width	2270mm
Power supply	3/N/PE~400V, 50Hz, 16A
Whole machine power	2.2kw
Hydraulic oil	16L corresponds to wearable hydraulic oil
Gas pressure	6-8kgf/cm ²
Working temperature	5-40°C
Working humidity	30-95%
Noisy	< 70db
Storage temperature	-25°C~55°C

Table 3

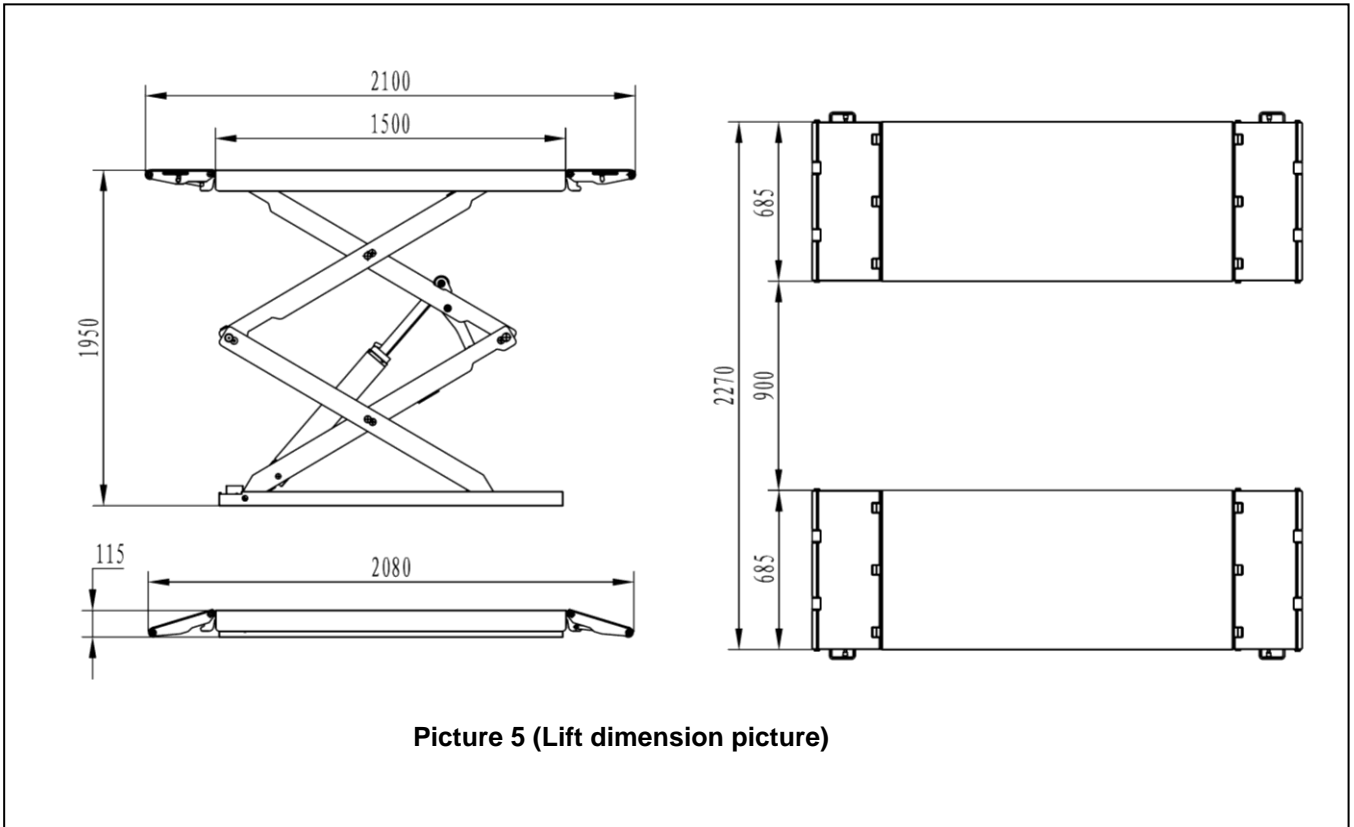
Requirements

- Portland cement with strength grade above C20, the period of desiccation is 15 days
- Clean the basic layer, thickness of concrete≥150mm, the leveling of whole length≤5mm

Supply at the same time

- Connect to the power supply jack of control box (400V)
- Connect to the compressed air-entering pipe of control box (φ8×5mm)

4.2 External dimension drawing



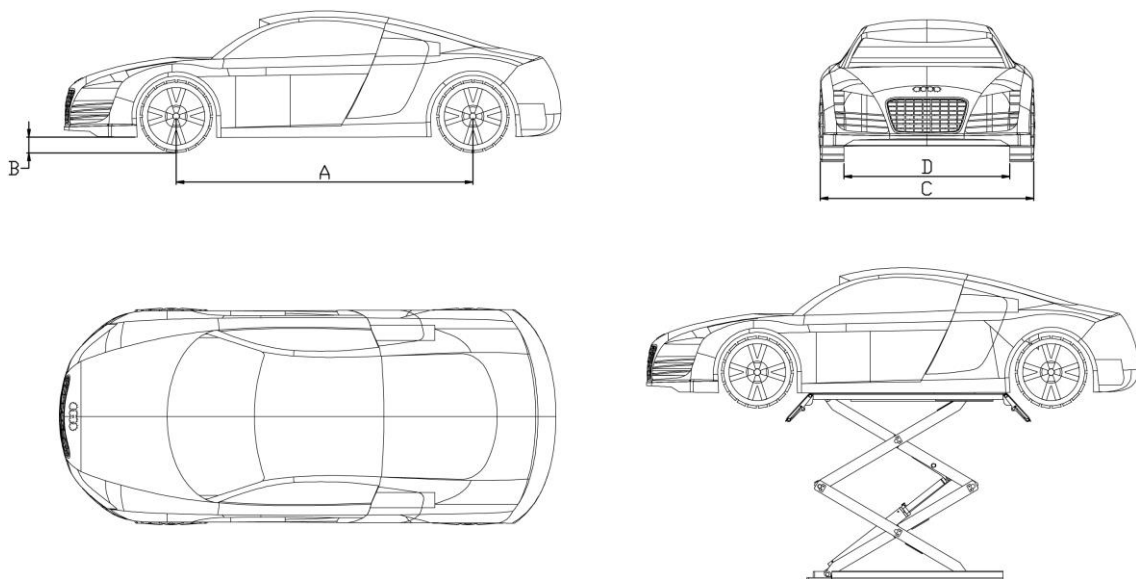
Picture 5 (Lift dimension picture)

4.3. Types of vehicles suitable for

This lift is suitable for virtually all vehicles with total weight and with dimensions not exceeding the below data. **Maximum weight not exceed than 4000kg.**

The max dimension of vehicle:

The following diagrams illustrate criteria used to define the operating limits of the lift.



Picture 6

	4T	
	Min	Max.
A	2100	4000
B	120	
C		2100
D	1050	



The lower parts of the vehicle under-body could interfere with structural parts of the lift. Take particular parts of the sports-car.

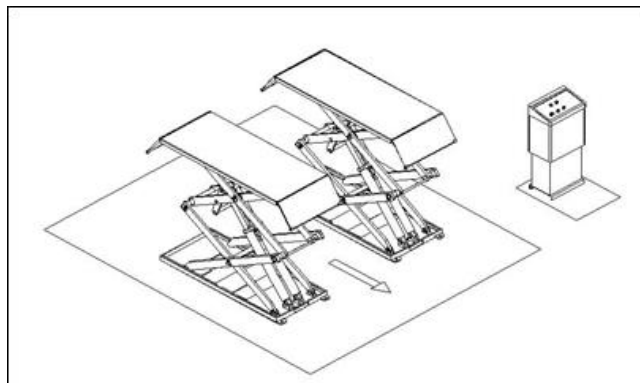
The lift will also handle customized or non-standard vehicles provided they are within the maximum specified carrying capacity.

Also the personnel safety zone must be defined in relation to vehicle with unusual dimensions.

Do not use the lift without protection devices or with the protection devices inhibited.

Failure to comply with this regulation can cause serious injury to persons, and irreparable damage to the lift and the vehicle being lifted.

5. Safety notes



Picture 7



General precautions

The operator and the maintenance fitter are required to observe the prescriptions of safety regulation in force in the country of installation of the lift.

Furthermore, the operator and maintenance fitter must:

- Always work in the stations specified and illustrated in this manual;
- Never remove or deactivate the guards and mechanical, electrical, or other types of safety devices;
- Read the safety notices placed on the machine and the safety information in this manual.



In the manual all safety notices are shown as follows:

Warning: indicates following operations that are unsafe and can cause minor injury to persons and damage the lift, the vehicle or other property.



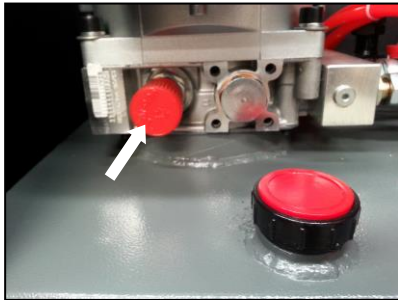
Risk of electric shock: a specific safety notice placed on the lift in areas where the risk of electric shock is particularly high.



Risk and protection devices

For optimal personal safety and safety of vehicles, observe the following regulations:

- Do not enter the safety and safety of vehicles is being lifted. **(Picture 7)**
- Be sure to lift only approved vehicles, never exceed the specified carrying capacity, maximum height, and projection (vehicle length and width);
- Make sure that there is no person on the platforms during up and down movements and during standing



Picture 8



Picture 9



General risks for lifting or descent

The following safety equipments are used to protect over loading or the possibility of engine failure.

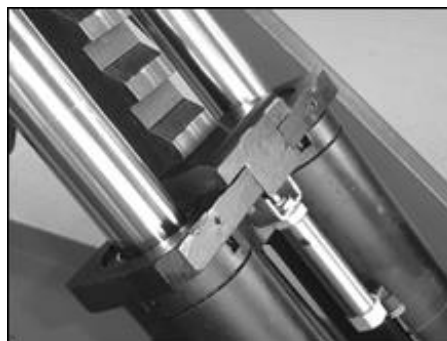
In the condition of over loading, the over-falling valve will open and directly return oil to the oil tank. **(Picture 8)**

Each bottom of oil cylinder is equipped with antiknock and locked valve(**optional**). When the oil pipe is burst in the circuit of hydraulic pressure, the relevant antiknock and locked valve will work and limit the speediness of platform. **(Picture 9)**

Safety tooth and gear module are parts which guarantee the safety of personnel beneath the machine in failure condition of other protections.

So make sure the integrity of gear module and that the safety tooth has occluded completely. **(Picture 10)**

There is nothing abnormal should be left on the safety modules to prevent safety gear from occlude normally.

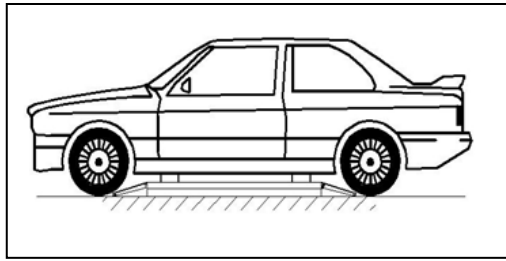


Picture 10



Risk for extrusion

During up and down operations, personnel leave the said area without following the rule and instruction. During up and down operations, no person is admitted to work beneath the movable parts of the lift, should work in the safe zone. **(Picture 11)**

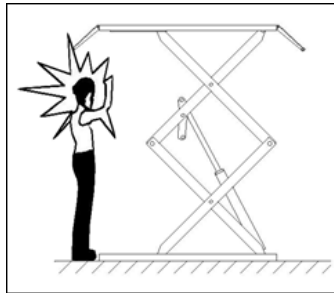


Picture 11



Risk of impact

Before the operator begins up and down movements, make sure that there are no personnel inside the danger zone. When, due to operational reasons, the lift is stopped at relatively low elevations (lower than 1.75m above the ground) personnel must be careful to avoid impact with parts of the machine not marked with special colors. (Picture 12)

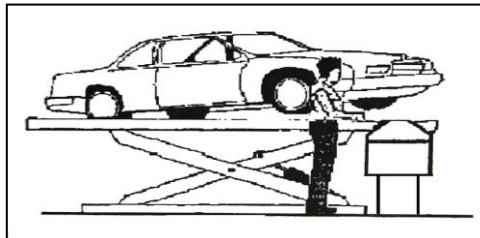


Picture 12



Risk of falling (vehicle)

This hazard may arise in the case of incorrect positioning of the vehicle on the platforms, overweight of the vehicle, or in the case of vehicles of dimensions that are not compatible with the capacity of the lift. When the platform is being tested, the vehicle engine can not be turned on. There is nothing should be placed on the lift-lowering area and the movable parts of the lift.

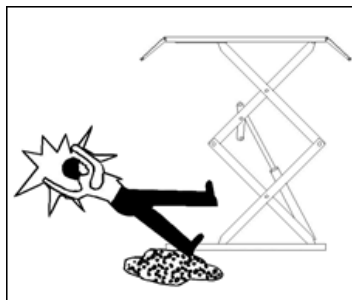


Picture 13



Risk of slipping

The floor caused by lubricant contamination of around the lift. The area beneath and immediately surrounding the lift and also the platforms must be kept clean. Remove any oil spills immediately.(Picture 14)



Picture 14



Risk of electric shock

Risk of electric shock in areas of insulated and shattered electric equipments

Do not use jets of water, steam solvents or paint next to the lift, and take special care to keep such substances clear of the electrical control panel.



Risks related to appropriate lighting

The operator and the maintenance fitter must be able to assure that all the areas of the lift are properly and uniformly illuminate compliance with the laws in force in the place of installation.

During up and down operations, the operator should continually observe the lift and can operate it only in the position of operator. When lifting and lowering the vehicle, the cushion needs being put in the bottom of chassis.



The handling of safety devices is strictly forbidden. Never exceed the maximum carrying capacity of the lift, make sure the vehicles to be lifted have no load.

It is therefore essential to adhere scrupulously to all regulations regarding use, maintenance and safety contained in this manual.

6. Installation



Skilled and authorized personnel only should be allowed to perform these operations, follow all instructions shown below carefully, in order to prevent possible damage to the car lift or risk of injury to people.

Installation requirements (Picture 15)

-The car lift must be installed according to the specified safety distances from walls, pole -The specified safety distances from walls must be 600 mm at least, taking into consideration the necessary space to work easily. Because space for the control site and for possible runways in case of emergency is also necessary.

-The room must be previously arranged for the power supply and pneumatic feed of the car lift.

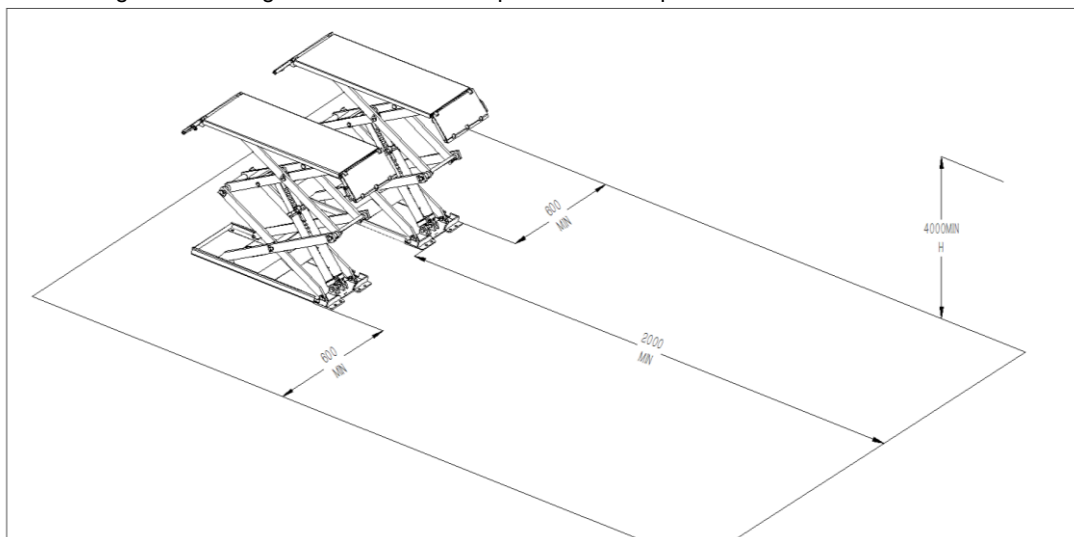
-The room must be 4000 mm in height, at least.

-The car lift can be placed on any floor, as long as it is perfectly level and sufficiently resistant. (Concrete grade above C20.the thickness of concrete \geq 150mm)

-All parts of the machine must be uniformly lit with sufficient light to make sure that the adjustment and maintenance operations can be performed safely, and without reflected light, glare that could give rise to eye fatigue.

-The integrity of arrived goods should be checked before the lift is installed.

-Moving and installing lift should follow the process as the picture instructs.



Picture 15



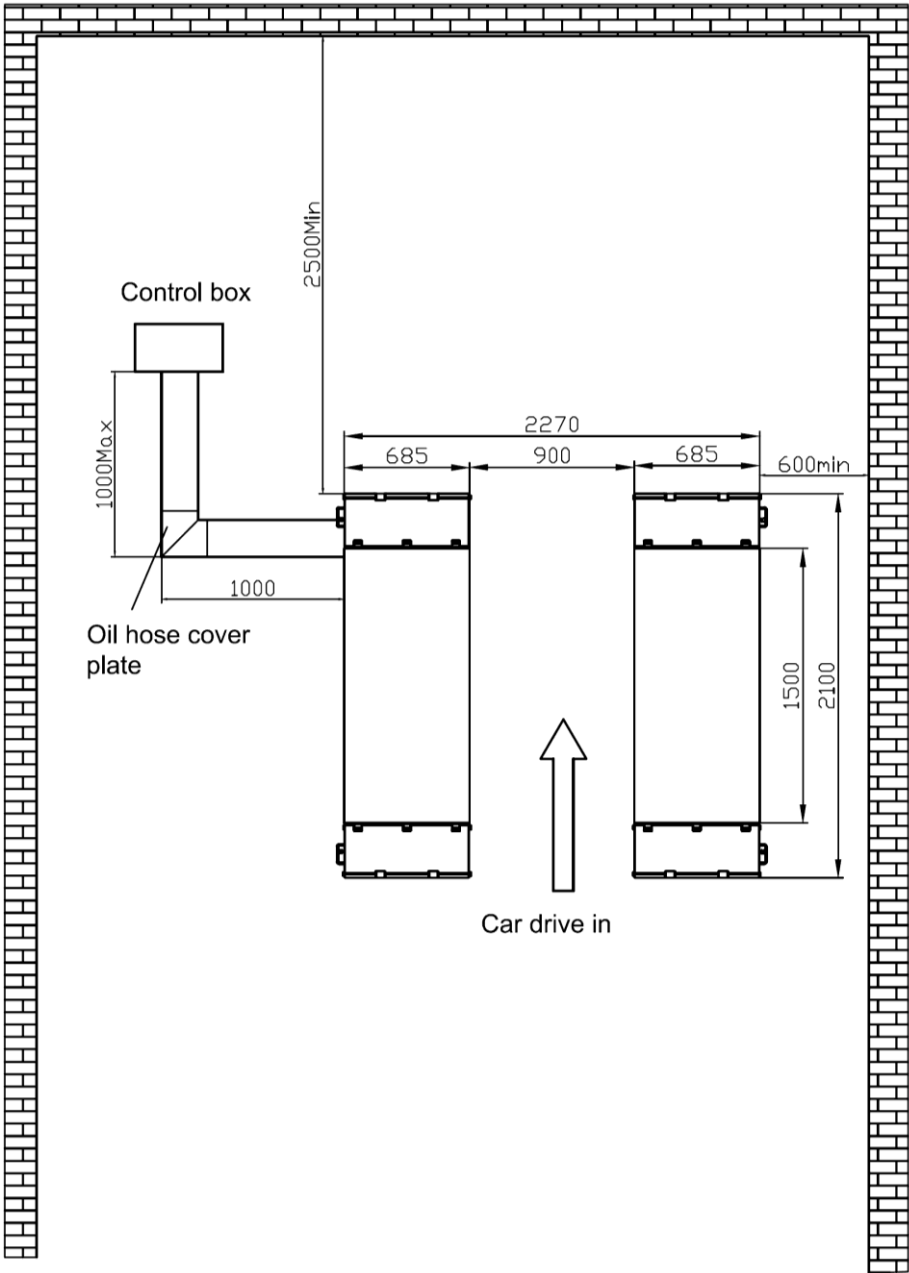
Note: The foundation of the end of the lift platform P1, P2 is the structure of concrete. When the thickness of inside level ground is less than 150mm, the end of P1, P2 should be irrigated the acreage: 6000×2500mm and thickness of concrete≥150mm

The basic thickness of concrete and leveling are keys, shouldn't egregiously expect the ability of level adjustment of machine-self.

Installation scheme for scissor lift

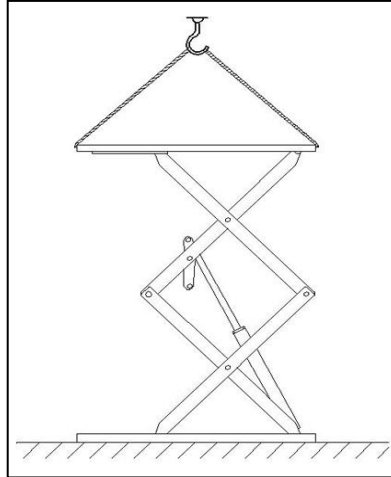
Equipment basic picture

Picture 16 (The control box can be placed on the left or right)



Platform Installation:

- Place two lift platforms on the position of the location
- The label on the machine should face outward
- The bottom of oil cylinder is located in the frontage of machine (the direction of getting on the vehicle)
- Use fork car or other lifting equipments to lift the platform (**Picture17**) and make sure that the safety equipment of machine is both turned on and locked.



Picture 17



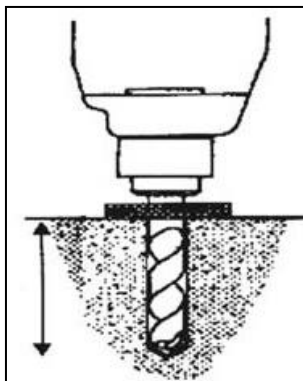
To avoid failure of machine safety equipment, can insert a wood in the middle part of joint-pole. Prohibit working beneath the lift when hydraulic system is not completely equipped with hydraulic oil and take the action of up and down operations.

-When moving the lift platform, adjust the space between two platforms; make sure that the two platforms are parallel.

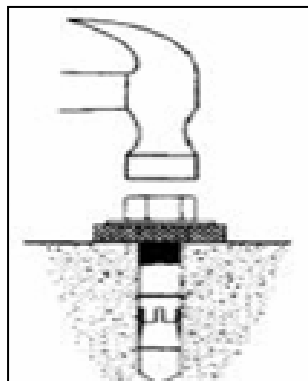
Ground bolts installation

The ground bolts installation must start after the expiry date on the maintenance of concert, otherwise, it will affect the quality of solidity.

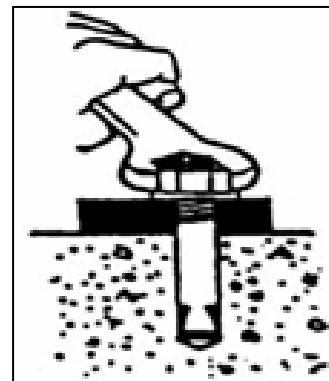
- Adjust the parallel of the platform and the distance of two platform as **Picture 18** requires.
- Fix the anchor bolts with a percussion electric drill (percussion drill bit is of 16), drill to 120mm hole and clean the hole.(**Picture 18**)
- Use light hammer to install the ground bolts into the hole (need not install the central expanded nail of ground bolts, install it after level adjustment.) (**Picture 19**)



Picture 18



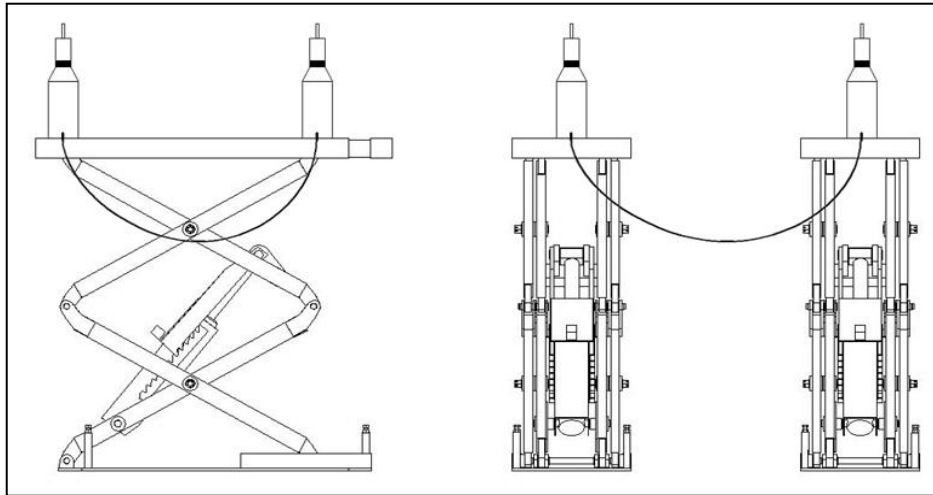
Picture 19



Picture 20

Level adjustment

- By using a level bar and the horizontal pipe and adjusting the adjustment screws at two sides of the base plate.
- If platform unevenness is resulted from basic unevenness, use iron block to fill up the low place.(**Picture 21**)
- After level adjustment, insert the central expanded nail of ground bolts and use heavy hammer to hammer it.(**Picture 19**)
- Screw down the ground bolts cap(**Picture 20**)



Picture 21

Line connection

Connect the electrical and oil line according to << circuit diagram>> and <<oil hose connection diagram>>.

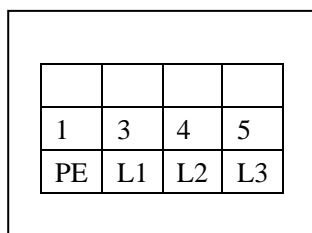


Only after connecting the hydraulic system can connect the air loop, can not damage oil pipe, wire, and gas pipe.

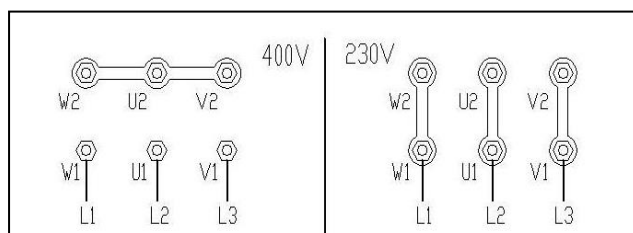
In the process of connecting oil pipe and gas pipe, pay particularly attention to the protection of pipe tie-in to prevent abnormal thing from entering oil loop and gas loop, then damaging hydraulic system.

Electric circuit connection

Follow the stated line-diameter and line-number of <<the circuit diagram>> to connect electric circuit.



Picture 22



Picture 23



Only skilled special person is allowed to perform the operations.

- open the control box' front cover
- connection of power supply: the 400VAC three-phase and four-line connection wires (4x1.5mm² cable wire) for power supply are connected to L1,L2,L3, and PE labeled entering-wire terminal in control box. The PE ground wire is connected under the bolt marked ground firstly (**Picture 22**) and then connected under the bolt marked ground of two platforms.
- if the lift is operated at 230V three-phase, change the connection on the transformer and motor. (**Picture 23**)
- connect the limit switch to the corresponding terminal in the control box.

Hydraulic pipeline connection

Follow <<oil hose connection diagram >> to connect the hydraulic oil hoses



Only skilled and authorized person is allowed to perform the operations. And pay particularly attention to the protection of vita head.

- Following tubing number to lead the high-pressure tubing out from the “working stop valve G” and two “oil make-up stop valve H, I” of control box and then connect it to oil cylinder. (Refer to <<oil hose connection diagram>>)
- When connecting tubing, pay attention to the protection of tubing tie-in to prevent impurities from entering hydraulic circuit.



When connecting the tubing, be care of the mistake of each tubing number.

During the standard installation, control box is in the nearside of vehicle-entering direction. If placed on the right should adjust relevant tubing.

Compressed air pipe connection

Follow <<gas loop diagram>> to connect gas loop



Only skilled and authorized person is allowed to perform the operations.

- Connect $\Phi 8 \times 6$ compressed air supply pipe to the air supply jaws of pneumatic electromagnetic valve inside the control box. (**Picture24**)
- Follow <<gas loop diagram >> to lead the compressed air pipe out from pneumatic electromagnetic valve and then connect it to the uplifted-pawl air valve. (**Picture 25**)
- Pay attention to the protection of windpipe tie-in to prevent impurities from entering compressed air circuit.
- Connect compressed air pipe to the extra-installed grease separator which is in front of control box to prolong the life of pneumatic components and the reliability of action.



Picture 24



In the process of windpipe installation, the windpipe cannot be folded or tied to avoid that the gas loop is not smooth or it is jammed.

Before leading the compressed air supply pipe to the air supply jaws of pneumatic electromagnetic valve inside the control box, should extra install grease separator to separate compressed air, avoiding the failure of pneumatic cell action.

Picture 25

7. Adjustment

Preparation



Add oil and check the order of phase.

After installing lift as Picture 16 required and connecting hydraulic circuit, electric circuit and gas loop, operate it as following:

-open the hydraulic oil tank, add 16L corresponds to wearable hydraulic oil into the oil tank, the hydraulic oil is provided by the user.



Make sure the clean of hydraulic oil, prevent any impurity into the oil line, lead the digest of the oil line and no working of the solenoid valve.

-Press the "POWER" button to turn on power, clicking the "UP" button, check whether the motor turns clockwise (looking downward), if not press "POWER" button, change the phase of the motor.

When turn on power, the high voltage will exist in the control box, only authorized person can operate it.

"PHOTO" button operate instruction(optional)



- "PHOTO" button shall be used in the first installation, and used to adjust the level degrees of two platforms. In two of the situations there is no lifting, descent, locking function.

- "PHOTO" button shall be pressed before user presses other button when the platform is at the lowest position

- Press "PHOTO" button during adjustment then follow the adjustment section 5 to operate.

- It is forbidden to use "PHOTO" button during normal operation, this button is only for adjustment.

Oil make-up adjustment

- Open working valve G then press "UP" button SB1 until the platforms are raised to the highest position.

- Press and hold the button SB4 inside the control box

- Keep the oil return air pipe clean and press "UP" button for 5 seconds, and then wait 3 seconds to exhaust the air form the oil cylinder.

- Repeat step 3 by 7~8 times to exhaust all air from the oil cylinder.

- Releasing the button SB4 and press "DOWN" button SB2 to low down the platform.

- Finish the oil make-up and air exhaust process.

- If platforms still not at the same height, please follow next step to make a fine adjustment.

Platforms level micro adjustment

- Press the "UP" button SB1 to lift the two platforms to going up to about 500 mm.

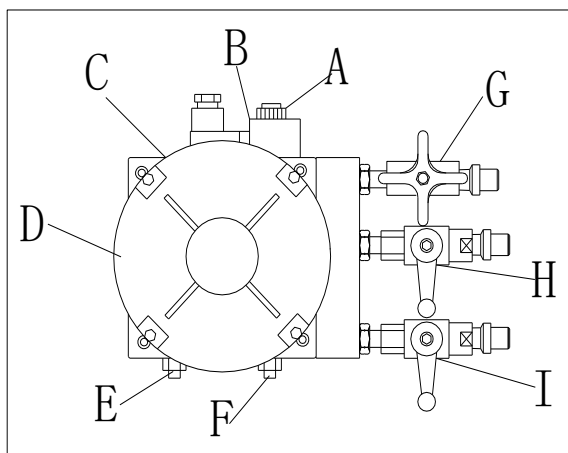
- Close the valve G, and open the valve H OR I.

-Inching “UP” button and “DOWN” button to adjust the platform to going up and down to let them, at the same level. Then close the valve I OR the valve H .Open the valve G.

Check: whether the locations of two safety-pawl equipments are agile and reliable, no leakage of the hydraulic system and the air system.



When conducting oil make-up operation, the platforms must not be load.



Picture 26

No load of main machine test:

- Turn on the power QS.
- Press “UP” button SB1, pay attention to the synchronization and placidity of the lifting.
- Check whether highest limit of platforms is correct and reliable.
- Press “LOCK” button SB3,check whether safety pawl is correctly located, the oil line and the gas line are leakage.



When testing the lift, no person or other things are allowed to stand or be put near the two sides and beneath the machine. If any abnormal is found, stop it timely. After clearing obstacles, do the test again.

Load of main machine test

- Drive the vehicle whose weight doesn't exceed maximum lift weight to the platform, and then the driver leave it.
- Press “UP” button SB1, lift the platform and pay attention to the synchronization and placidity of the lifting.
- Check whether rack and hydraulic pump work normally .
- Check whether highest limit of platforms is correct and reliable.
- Press “LOCK” button SB3,check whether safety pawl is correctly located,the oil line and the gas line are leakage.



When beginning load of machine test, no person or other things are allowed to stand or be put near the two sides and beneath the machine.

Test vehicle whose weight doesn't exceed maximum lift weight.

Check whether the oil line and the gas line are leakage. If any abnormal is found, stop it timely. After clearing obstacles, do the test again.

8. Operation



Only skilled and having been trained personnel is allowed to perform the operations. Check proceedings as following.

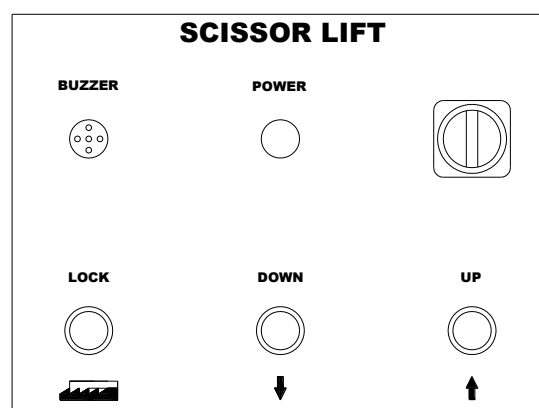
Text before operation:

- Clear obstacles around the lift before operation.
- Pay attention to the synchronization and placidity of the lifting.
- Check whether the safety claw is flexible and reliable.
- Check whether the lift will stop automatically when it lift to the highest position
- No air leakage in the solenoid valve,air cylinder,air hose and union.
- Check whether the working sound of motor and gear pump are normal.
- Check whether the lifting vehicle or other goods exceed the capacity of the lift.

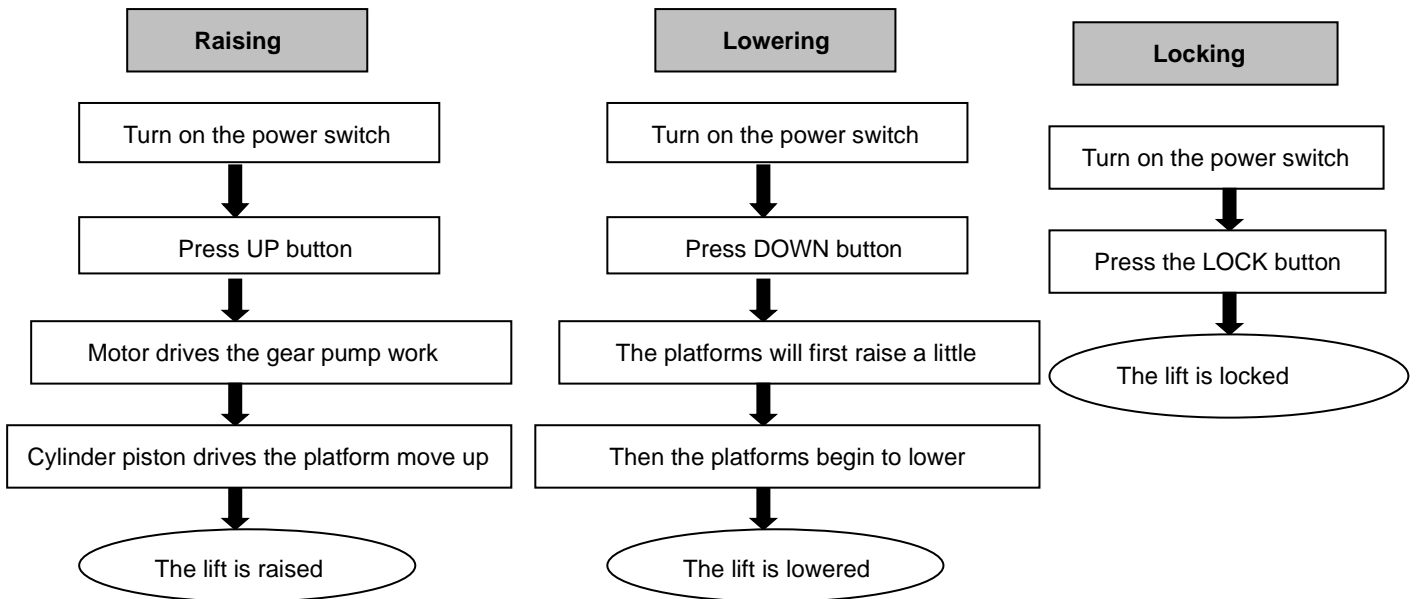
Operation notices

- Speed of vehicle should be kept in 5km/h when vehicle drives on the lift.
- The front wheel lies on the middle of the groove of turntable(the position of groove is adjustable) and the rear wheel lies on the sliding plate when vehicle stop.
- Tighten the brake and stack up antiskid(equipped by user) for vehicles.
- Press up button to lift the vehicle for 200-300mm,pay attention to the synchronization of the lifting.
- Go on press up button to lift the vehicle to the needed height.
- The chassis of vehicle should be filled up with rubber mat when the sub machine is lifting and lowering. The telescopic boom of sub machine should be taken back when the lift lowers.
- Pay attention to the synchronization of the lifting and lowering. If any abnormal is found, stop the machine timely, check and remove the trouble.
- The lift should be locked to keep the two insurance claw of platform in the same horizontal height during maintenance and four wheel alignment adjustment. Only after locking operation, personnel can enter below the lift and vehicle.
- Check whether the insurance claw is out of the insurance gear entirely and personnel is around the vehicle and the platform.
- Press down button to lower the vehicle to the ground or needed height.
- When the equipment is not used for a long time or over night, the machine should be lowered to the lowest position on ground, and remove vehicle, and cut off power supply.

Instructions on control panel operation



Picture 27



Emergency manual operation for lowering (power failure)



When lowering through manual operation, should observe the condition of platform at any time because there are vehicles on the platform. If there is anything abnormal, screw down oil loop valve immediately.(refer to **Picture 26**)

The process of manual operation

- Firstly lift two safety pawls of platform and use thin iron bar to fill up it.
- Switch off the power button (avoid abruptly incoming electricity). Open the back cover of control box to find the electromagnetic valve A for lowering.
- Loosen manual oil loop stud anticlockwise at the end of lowering electromagnetic valve core, then the platform begins lowering.(**Picture 28**)
- After the machine has been lowered, screw down manual oil loop stud clockwise in time, the process of manual lowering comes to the end.(**Picture 29**)



Picture 28



Picture 29

9. Maintenance and care



Skilled personnel only is allowed to perform the operations

Daily checking items

The user must perform daily check. Daily check of safety system is very important – the discovery of device failure before action could save your time and prevent you from great loss, injury or casualty.

- Always wipe clean, keep the machine clean.
- Clear barriers and ground oil, keep the working condition clean.
- Check the integrity of each safety devices, ensure the motion is flexible and reliable.
- Check the reliability of limit switch motion.
- Check whether oil/air leakage of the machine exist.

Weekly checking items

- All bearings and hinges on this machine must be lubricated once a week by using an oiler
- Check the working conditions of safety parts.
- Check the amount of oil left in the oil tank. Oil is enough if the carriage can be raised to highest position. Otherwise, oil is insufficient.
- Check whether the expansion bolts well anchored.

Monthly checking items

- The safety gear, the upper and lower sliding blocks and other movable parts must be lubricated once a month.
- Check whether the foundation bolts anchored well.
- Check the abrasion and leakage of oil/air hose.

Yearly checking items

- The hydraulic oil must be replaced one time each year. The oil level should always be kept at upper limit position.
- Check abrasion and damage of all the active parts.
- Check the lubrication of sliders. Lubricate it if drag phenomenon exist.



The machine should be lower to the lowest position when replace hydraulic oil, then let the old oil out, and should be filtering the hydraulic oil.

- Each team checks the agility and reliability of pneumatic safety equipment.

Storage after use

When the machine does not use for a long time:

- Cut off the power supply and air source and lubricate all the active parts.
- Drain the hydraulic oil of oil cylinder, oil hose and oil tank.
- Sheathe the machine with dust-proof cover.

10. Trouble shooting table

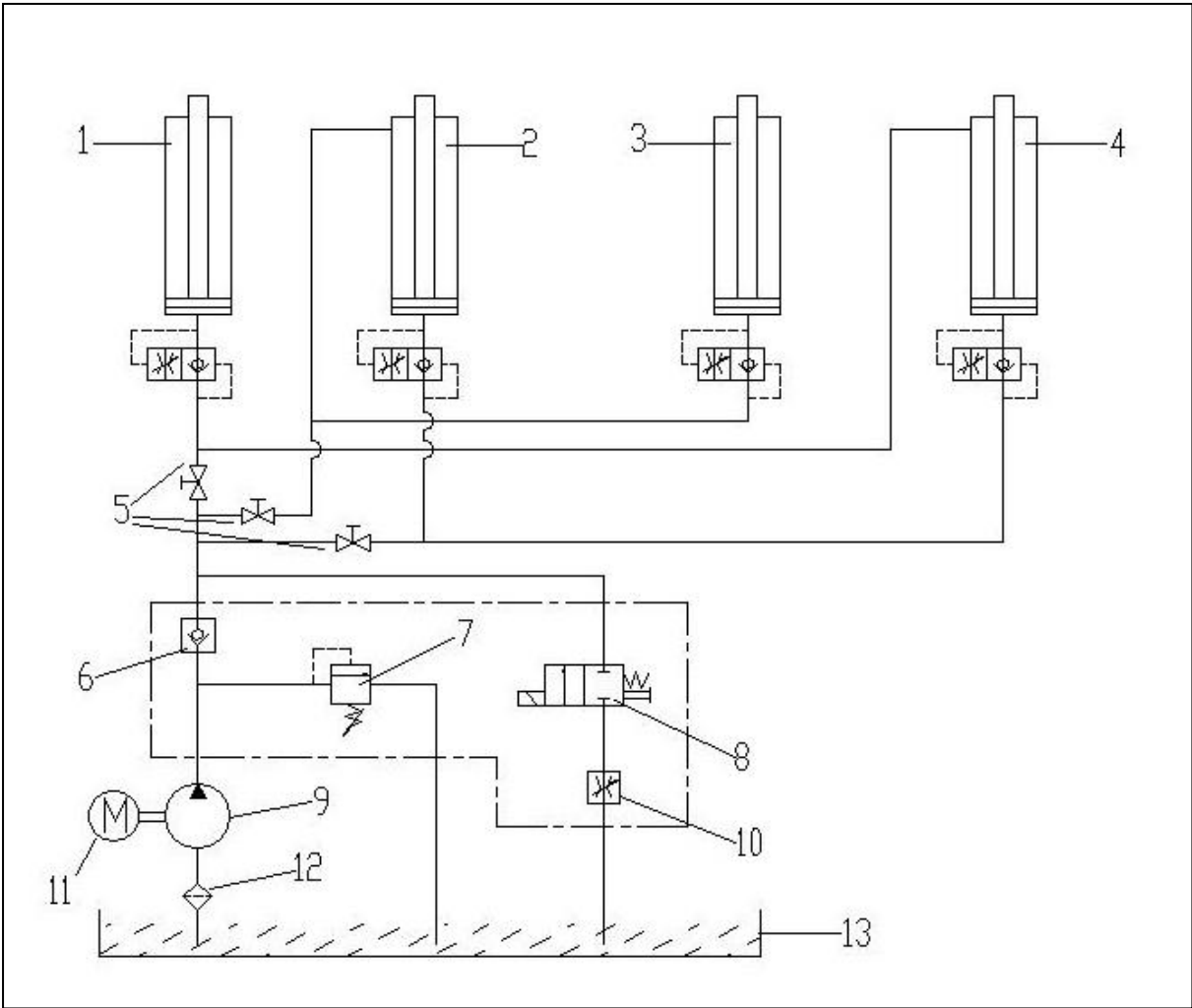


Skilled personnel only is allowed to perform the operations

Failure Phenomena	Cause and Phenomena	Resolutions
The motor does not run in lifting operation.	① Connection of power supply wires is not correct.	Check and correct wire connection
	② The AC contactor in the circuit of the motor does not pick up.	If the motor operates when forcing the contactor down with an isolation rod, check the control circuit. If the voltage at two ends of the contactor coil is normal, replace the contactor.
	③ The limit switch is not closed.	Check the limit switch, wires and adjust or replace the limit switch.
In lifting operation, the motor runs, but there is no lifting movement.	① The motor turns reverse.	Change the phases of the power supply wires.
	② It is normal while lifting with light load but abnormal while lifting with heavy load.	Lift is overloaded and is unable to carry the load being attempted. Carefully lower and remove vehicle from lift. The spool of the lowering solenoid valve is stuck by dirt. Clean the spool.
	③ The amount of hydraulic oil is not enough.	Add hydraulic oil.
	④ The "operation stop valve" is not closed.	Screw down the "Operation stop valve"
When press "DOWN" button, the machine is not lowered.	① The safety pawl are not released form the safety teeth.	First lift a little and then lowering
	② The safety pawl is not lifted.	The air pressure is not enough, the safety pawl is stuck or the gas pipe is broken off, adjust pressure, check the gas pipe and replace it.
	③ The solenoid air valve does not work.	If the solenoid air valve is energized, but does not open the air loop, check or replace the solenoid air valve.
	④ The lowering solenoid valve is energized but does not work.	Check the plug and coil of the lowering solenoid valve and check the right turn tightness of its end copper nut and so on.
	⑤ The "antiknock valve" is blocked.	Remove the "antiknock valve" from the oil supply hole at the bottom of the oil cylinder, and clean the "antiknock valve".
The machine lowers extremely slowly under normal loads.	① The hydraulic oil has too high viscosity or frozen, deteriorated (in Winter).	Replace with hydraulic oil in accordance with the instruction book.
	② The "antiknock valve" for preventing oil pipe burst is blocked.	Remove or close air supply pipe and thus lock the safety pawl of the machine without lifting of the safety pawl. Remove the "antiknock valve" from the oil supply hole at the bottom of the oil cylinder, and clean the "antiknock valve".
The right and left platforms are not synchronous and not in the same height.	① The air in the oil cylinder is not vent completely.	Refer to " Oil Make-up 'Adjust' Operation".
	② Oil leakage on oil pipe or at its connections.	Tighten oil pipe connections or replace oil seals and then make-up oil and adjust levelness.
	③ The "oil make-up stop valve" can not be closed tightly and almost make-up oil and adjust every day.	Replace oil make-up stop valve, and then make-up oil and adjust.
Noisy lifting and lowering.	① Lubrication is not enough.	Lubricate all hinges and motion parts (including piston rod) with machine oil
	② The base or the machine is twisted.	Adjust again the levelness of the machine, and fill or pad the base.

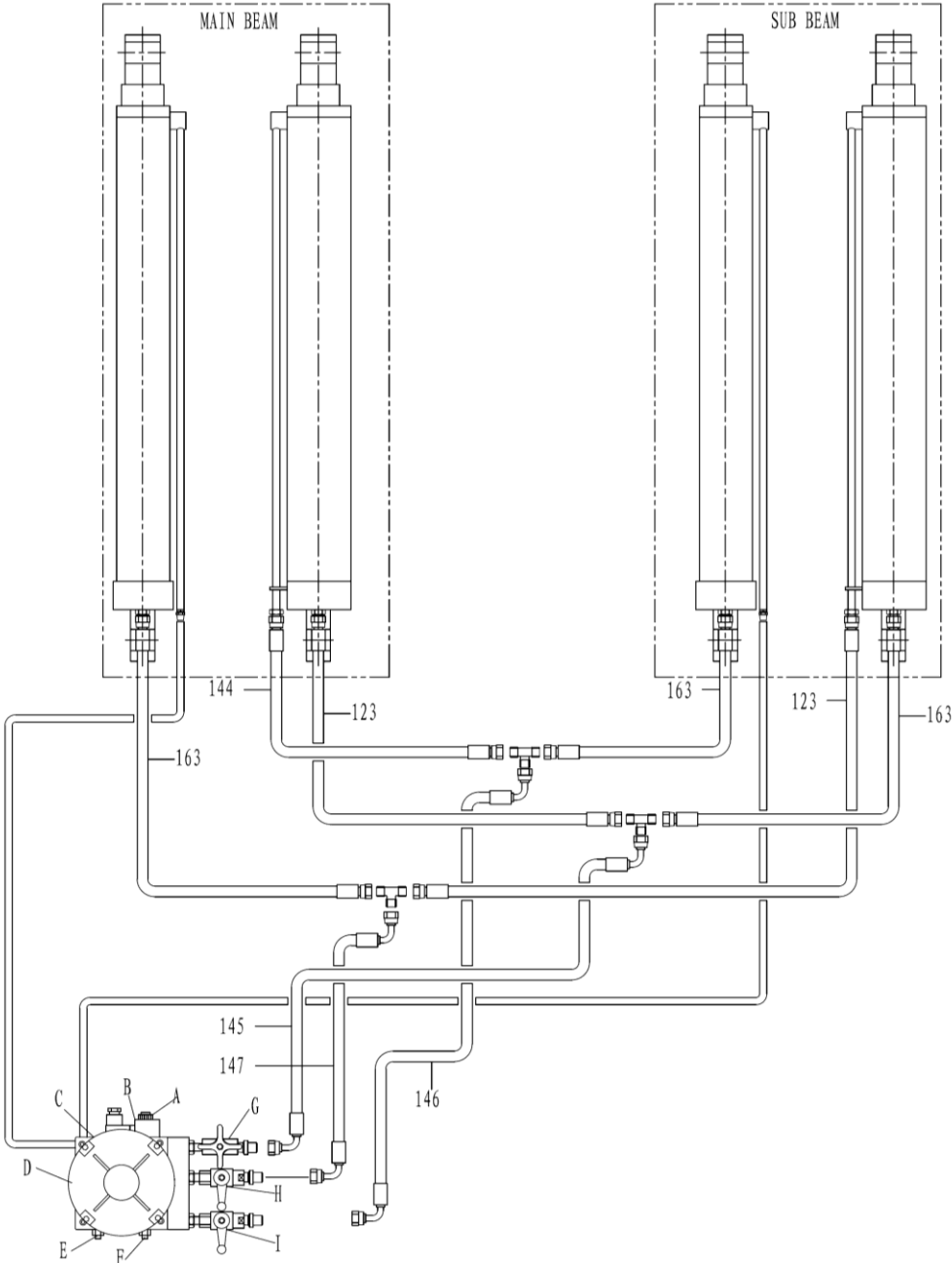
Table 4

11. Hydraulic pressure elements diagram



- 1. Main machine sub cylinder
- 2. Main machine main cylinder
- 3. Sub machine sub cylinder
- 4. Sub machine main cylinder
- 5. Stop valve
- 6. One-way valve
- 7. Overflowing valve
- 8. Descent valve
- 9. Gear pump
- 10. Throttling valve
- 11. Pump motor
- 12. Filter
- 13. Oil tank

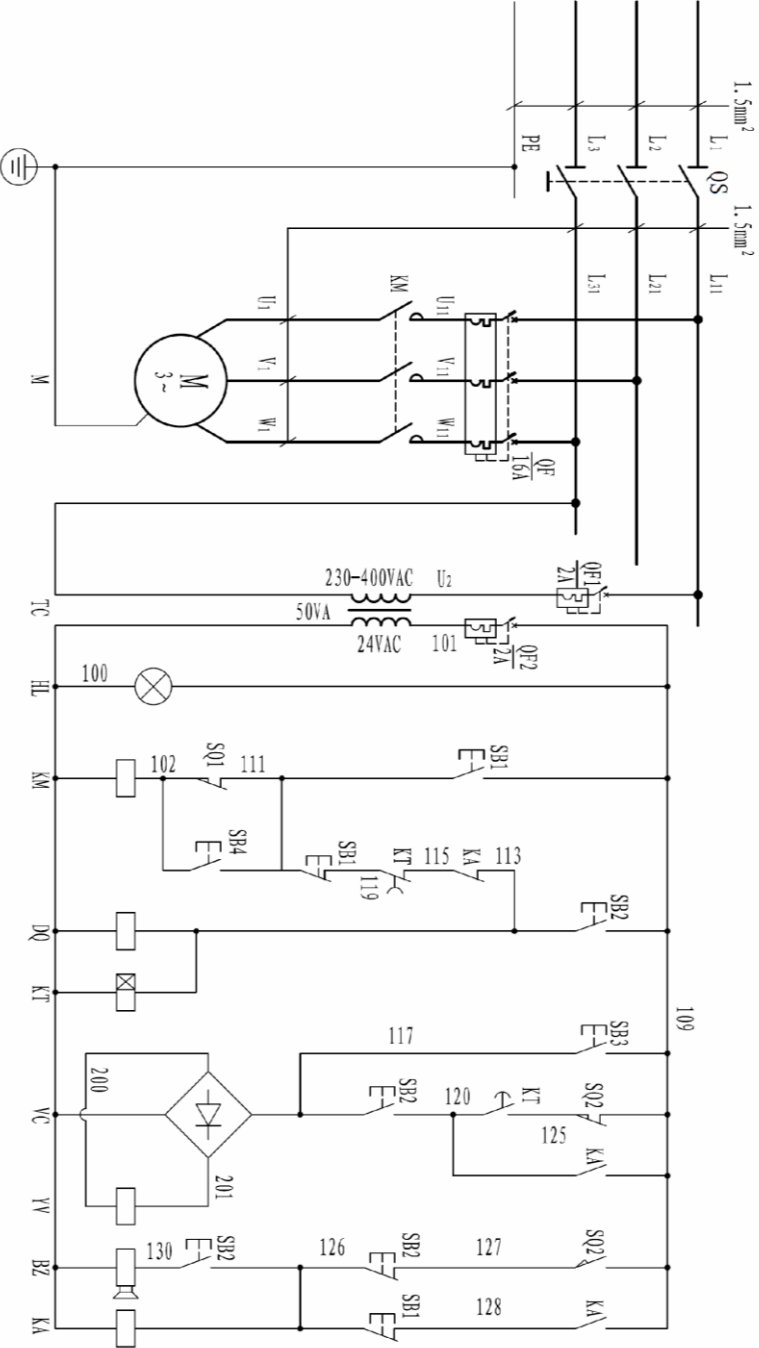
12. Oil hose connection diagram

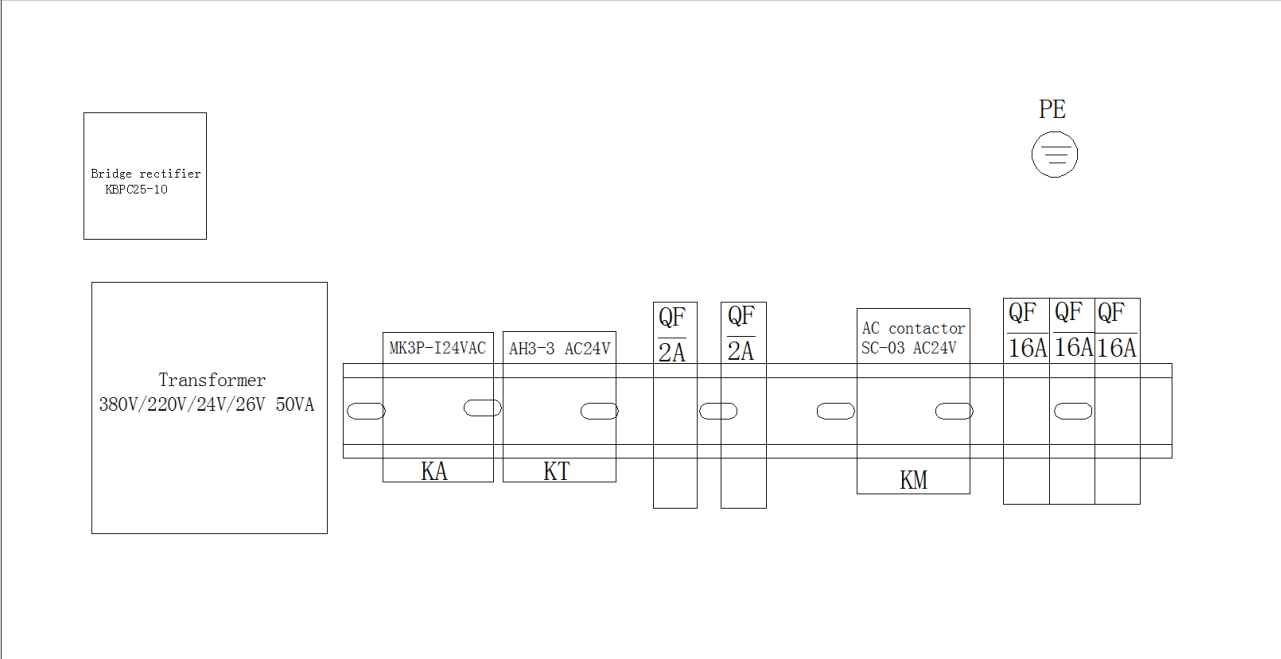


1. 123#~163# High pressure pipe
2. A: Descent valve; B: Descent coil; C: One-way valve; D: Motor; E: Plug ; F: Overflow valve; G: Working valve; H/I: The oil make-up stop valve

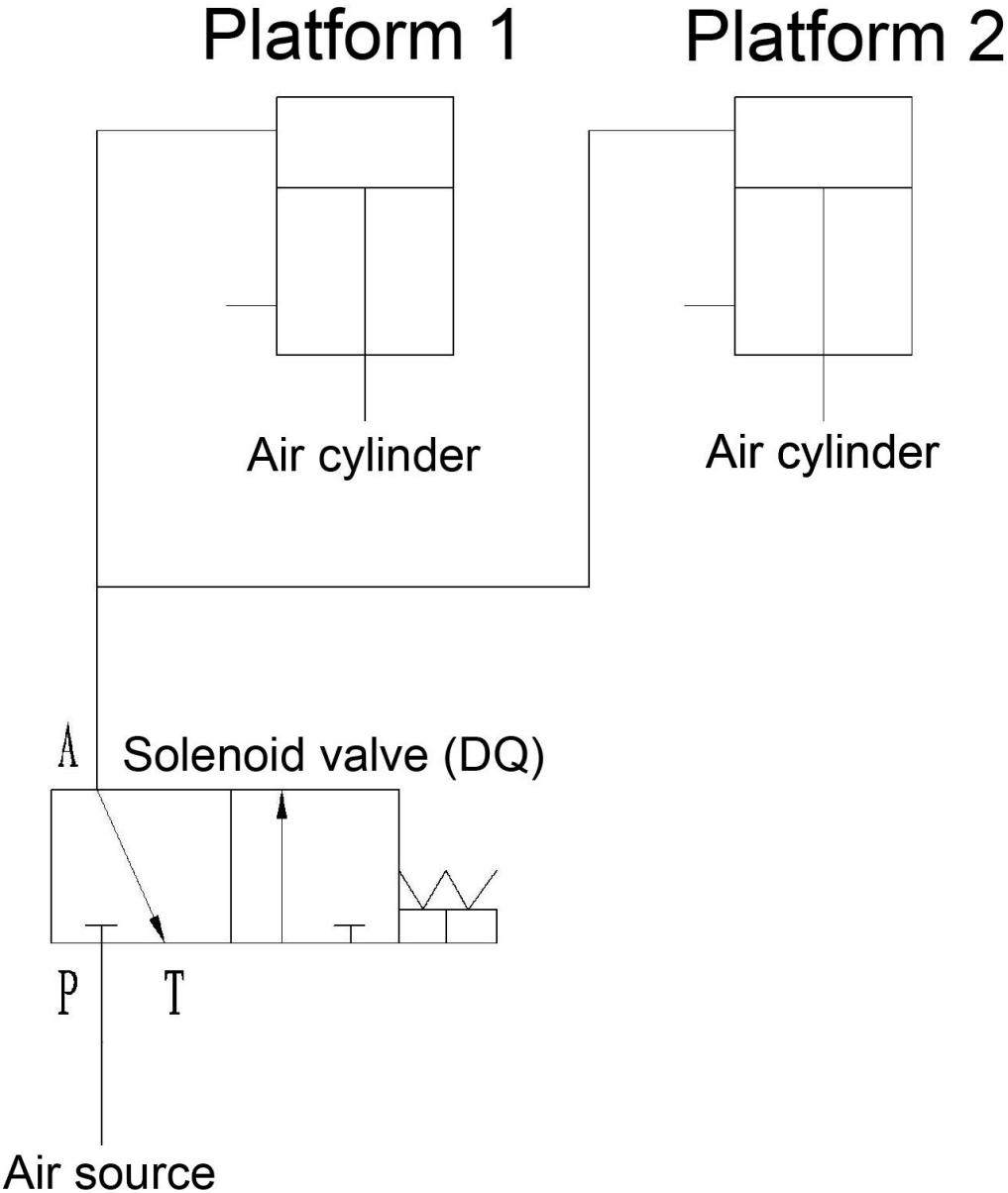
13. Circuit diagram

SB1	Lift button	QF	Circuit breaker	KA	Intermediate relay	YV	Down coil
SB2	Down btton	TC	Transformer	DQ	Pneumatic valve	BZ	Buzzer
SB3	Lock button	HL	Indicator light	VC	Rectifier bridge	KT	Time relay
SB4	Key switch	KM	AC contactor	SQ1/2	Limit switch	M	Motor




















14. Gas loop diagram



15. Accessories Packing List

Name	Pic	Spec.	Qty
1. Rubber mat(filmy)		160mm*120mm*35mm	4pc
2. High pressure oil hose		3.75m (145#)	1pc
		3.95m (146#)	1pc
		4.25m (147#)	1pc
3. Air Cylinder union		φ6*4	2pc
4. Air hose T-union		φ6*4	1pc
5. Foundation bolt		M16	12set
6. Foundation bolt		M8	24set
7. Air hose		φ6*4 1700mm	2pc
		φ6*4 4500mm	1pc
		Φ8*5 5000mm	2pc
8. Oil hose T-union		G1/4	3pc
9. Oil hose cover plate		250mm*90°	1pc
10. Oil hose cover plate		660mm	2pc
11. Oil hose cover plate		750mm	3pc
12. Oil hose cover plate		925mm	1pc
13. Loading dock board		including shaft, shaft snap ring, supporting plate and roller of loading dock board Notice: right and left direction each for 2pc	4set
14. Use manual		(including instruction manual, certificate of soundness, warranty bill and packing list)	1pc
15. Ribbon		4*200mm	10pc